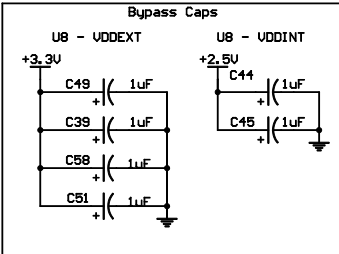
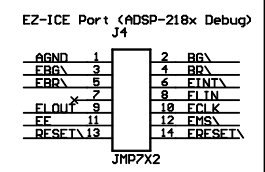
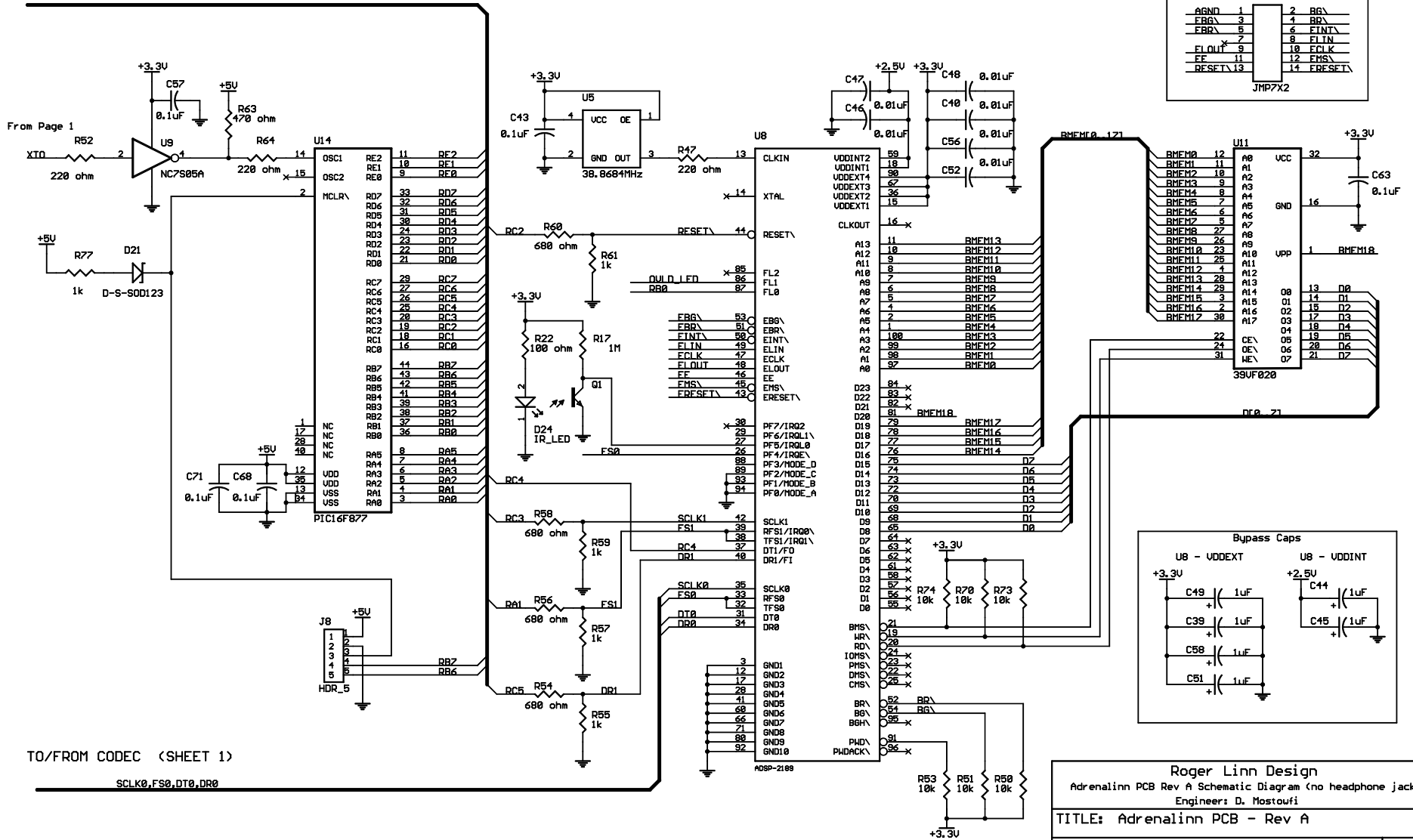


Roger Linn Design Adrenalinn PCB Rev A Schematic Diagram (no headphone jack) Engineer: D. Mostoufi	
<b>TITLE: Adrenalinn PCB - Rev A</b>	
Document Number:	REV: A
Date: 8/21/2002 05:37:16p	Sheet: 1/3

TO/FROM DIGITAL I/O (SHEETS 1 AND 3)

RAC0..5J,RBC0..7J,RCL0..7J,RDL0..7J,REI0..2J



Roger Linn Design  
 Adrenalinn PCB Rev A Schematic Diagram (no headphone jack)  
 Engineer: D. Mostoufi

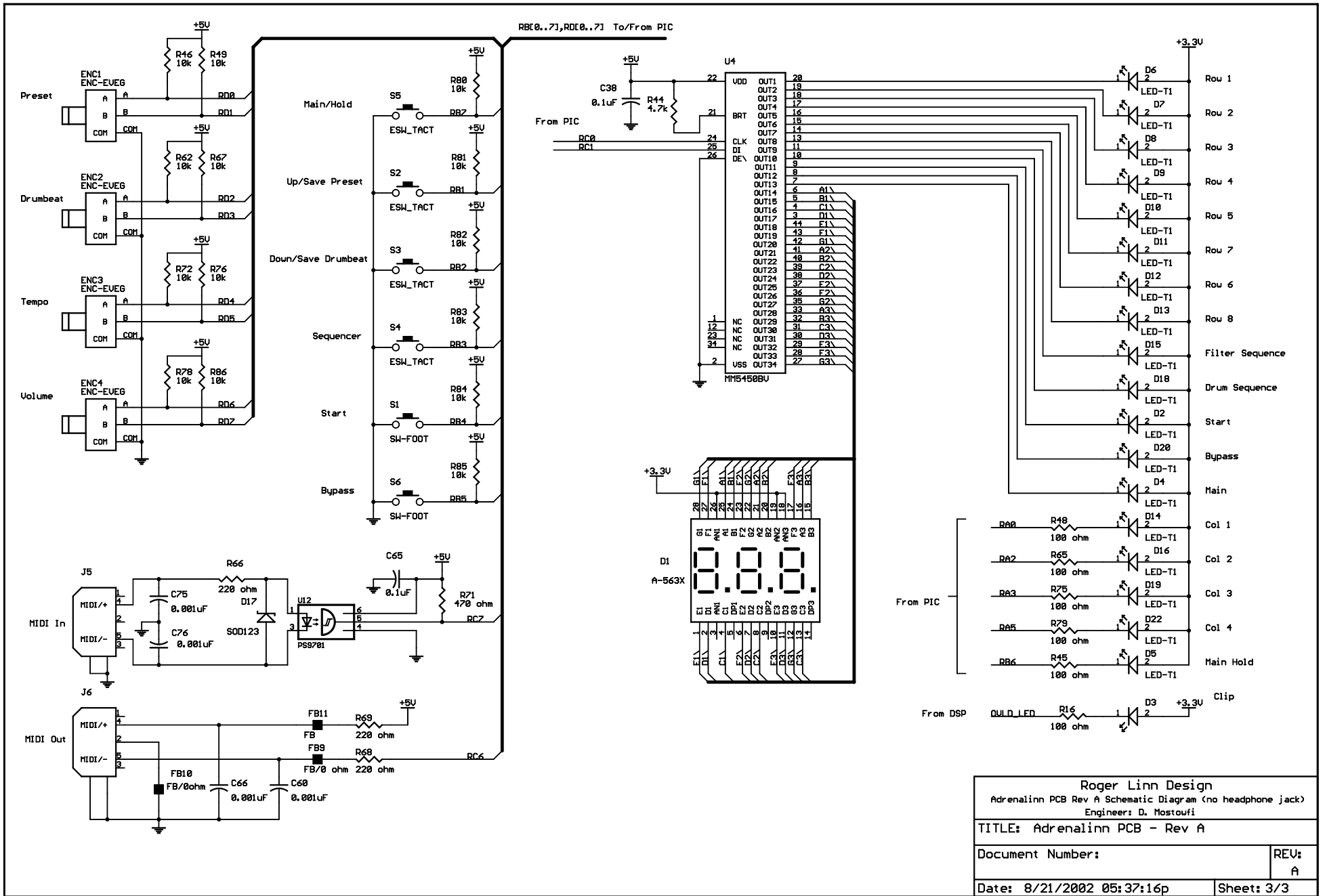
TITLE: Adrenalinn PCB - Rev A

Document Number: \_\_\_\_\_ REV: A

Date: 8/21/2002 05:37:16p Sheet: 2/3

TO/FROM CODEC (SHEET 1)

SCLK0,FS0,DT0,DR0



<b>Roger Linn Design</b> Adrenalinn PCB Rev A Schematic Diagram (no headphone jack) Engineer: D. Mostoufi	
<b>TITLE: Adrenalinn PCB - Rev A</b>	
Document Number:	REV:
Date: 8/21/2002 05:37:16p	Sheet: 3/3